

VOLVO S60 PRICING



THE VOLVO S60

If you've been searching for a stylish, sporty machine then look no further – the Volvo S60 is the definitive sports saloon. Blessed with perfectly sculpted body work and a luxurious interior, it certainly looks the part. But it's under the bonnet where it really excels – take a look through this price list to find out about the S60's jaw dropping performance.

T5

The T5 2.4 litre, turbocharged, in-line, 5 cylinder engine delivers outstanding performance – producing 260 PS and 350 Nm torque. This extremely smooth engine features variable valve timing on the exhaust side and a responsive turbocharger designed to deliver maximum torque from low and medium engine speeds. Effortless performance is combined with excellent fuel consumption and CO₂ emissions.

D5

The D5 2.4 litre, turbocharged, in-line, 5 cylinder, common rail diesel engine delivers very low fuel consumption and CO₂ emissions with excellent performance – producing 185 PS and 400 Nm torque. This extremely advanced diesel engine is made entirely of aluminium giving it a similar weight to a petrol engine. This advanced design combined with third-generation electronic common rail fuel injection, variable blade turbocharger and a diesel particulate filter makes it one of the cleanest and most advanced diesel engines available on the market. A 2.4D version with 163 PS is also available.

CHOOSE YOUR VOLVO 2-3

STANDARD EQUIPMENT 4

OPTIONS 5

ACCESSORIES & UPHOLSTERY 6-7

TECHNICAL SPECIFICATION 8-9

CHOOSE YOUR COLOUR 10

CARE BY VOLVO 11

		Basic £	VAT £	Rec. Retail Price £	On the Road Price £	
S60 S	PETROL	2.0T S	£16,391.49	£2,868.51	£19,260.00	
		2.5T S	£18,812.77	£3,292.23	£22,105.00	
	DIESEL	2.4D (163 PS) S	£18,468.09	£3,231.91	£21,700.00	
		D5 (185 PS) S	£19,212.77	£3,362.23	£22,575.00	
						£19,995.00
						£22,840.00
S60 SPORT	PETROL	2.0T Sport	£17,668.09	£3,091.91	£20,760.00	
		2.5T Sport	£20,089.36	£3,515.64	£23,605.00	
		T5 Sport	£21,863.83	£3,826.17	£25,690.00	
	DIESEL	2.4D (163 PS) Sport	£19,744.68	£3,455.32	£23,200.00	
		D5 (185 PS) Sport	£20,489.36	£3,585.64	£24,075.00	
						£21,495.00
				£24,340.00		
				£26,425.00		
S60 SE	PETROL	2.0T SE	£17,880.85	£3,129.15	£21,010.00	
		2.5T SE	£20,302.13	£3,552.87	£23,855.00	
		T5 SE	£22,076.60	£3,863.40	£25,940.00	
	DIESEL	2.4D (163 PS) SE	£19,957.45	£3,492.55	£23,450.00	
		D5 (185 PS) SE	£20,702.13	£3,622.87	£24,325.00	
						£21,745.00
				£24,590.00		
				£26,675.00		
S60 SE SPORT	PETROL	2.0T SE Sport	£18,944.68	£3,315.32	£22,260.00	
		2.5T SE Sport	£21,365.96	£3,739.04	£25,105.00	
		T5 SE Sport	£23,140.43	£4,049.57	£27,190.00	
	DIESEL	2.4D (163 PS) SE Sport	£21,021.28	£3,678.72	£24,700.00	
		D5 (185 PS) SE Sport	£21,765.96	£3,809.04	£25,575.00	
						£22,995.00
				£25,840.00		
				£27,925.00		
S60 SE LUX	PETROL	2.0T SE Lux	£19,795.74	£3,464.26	£23,260.00	
		2.5T SE Lux	£22,217.02	£3,887.98	£26,105.00	
		T5 SE Lux	£23,991.49	£4,198.51	£28,190.00	
	DIESEL	2.4D (163 PS) SE Lux	£21,872.34	£3,827.66	£25,700.00	
		D5 (185 PS) SE Lux	£22,617.02	£3,957.98	£26,575.00	
						£23,995.00
				£26,840.00		
				£28,925.00		

SAFETY & SECURITY table with columns S, SPORT, SE, SE SPORT, SE LUX and rows for Dual Stage Driver and Passenger Airbags, SIPS, WHIPS, ABS, DSTC, etc.

INTERIOR table with columns S, SPORT, SE, SE SPORT, SE LUX and rows for ECC, B Pillar Ventilation, Exterior Temperature Gauge, Information Centre, Cruise Control, etc.

EXTERIOR table with columns S, SPORT, SE, SE SPORT, SE LUX and rows for 16" Echo Alloy Wheels, 16" Eurus Alloy Wheels, 17" Orpheus Alloy Wheels, etc.

● = Standard, ○ = option, n/a = not available, nco = no cost option, u (£) = upgrade.

(i) Cupholder in Dashboard is removed when Dual Band Integrated GSM Telephone is ordered.
(ii) Two Cupholders in Tunnel Console are removed when Front and Rear Ashtray, Cupholder in Tunnel Console and Front Cigarette Lighter are ordered.
(iii) Grocery Bag Holder is removed when Large Steel Spare Wheel or Alloy Spare Wheel is ordered.
(iv) Dolby and Pro Logic II Surround Sound™ are trademarks of Dolby Laboratories Licensing Corporation.
(v) Integrated Child Seat (Rear Centre Armrest) and Rear Cupholders (Armrest) cannot be combined.
(vi) Cannot be ordered in conjunction with Mesh Aluminium Trim and Grid Aluminium Trim.
(vii) Four-C Chassis cannot be combined with Load Compensating Suspension or Lowered Sport Chassis.
(viii) Volvo On Call includes Safety and Security packages.



Main specification table for Volvo S60 with columns: Basic £, VAT £, Rec Retail Price £, S, SPORT, SE, SE SPORT, SE LUX. It includes sections for SAFETY & SECURITY, INTERIOR, EXTERIOR, WINTER PACK, ACTIVE BI-XENON PACK, FAMILY PACK, and COMMUNICATIONS PACK.

ACCESSORIES	Basic £	VAT £	Rec Retail Price £
EXTERIOR ACCESSORIES (PRICES EXCLUDE FITTING UNLESS SHOWN OTHERWISE)			
Aluminium Bike Rack (down tube clamp)	£52.77	£9.23	£62.00
Bike Rack (servo lift)	£81.70	£14.30	£96.00
Load Carrier (different models available) ...from	£68.94	£12.06	£81.00
Mud Flaps front, Mud Flaps rear (price per pair)	£26.38	£4.62	£31.00
Roofbox - Sport Time 200 (440 litre volume) ⁽ⁱ⁾	£152.34	£26.66	£179.00
Towbar - Detachable type with 13 Pin Electrics ⁽ⁱⁱⁱ⁾	£476.60	£83.40	£560.00
Rear Park Assist ^(iv) and Front Park Assist ^(iv) price for each from	£272.34	£47.66	£320.00
Rear Spoiler	£165.96	£29.04	£195.00
INTERIOR ACCESSORIES (PRICES EXCLUDE FITTING UNLESS SHOWN OTHERWISE)			
Boot Mat - moulded plastic or textile/rubber reversible	£73.19	£12.81	£86.00
Cooler/Hot Box (excludes power cable)	£68.94	£12.06	£81.00
Bluetooth Hands-free Phone System ...from	£170.21	£29.79	£200.00
Load Liner - form moulded plastic	£64.68	£11.32	£76.00
iPod adapter ...from ^(v)	£102.13	£17.87	£120.00
Rubber Floor Mats (set of four)	£45.96	£8.04	£54.00
Sunblind - rear door windows (pair)	£25.53	£4.47	£30.00
Sunblind - rear window	£25.53	£4.47	£30.00
Table (rear centre armrest)	£17.87	£3.13	£21.00
CHILD SEATS			
Child Seat ISOFIX ^(vi)	£125.71	£6.29	£132.00
Infant Seat ISOFIX ^(vi)	£88.57	£4.43	£93.00
ISOFIX Frame	£92.77	£16.23	£109.00
Child Booster Cushion	£30.64	£5.36	£36.00
Child Booster Backrest (to go with above)	£30.64	£5.36	£36.00
Padded Upholstery - for booster seat and headrest	£26.38	£4.62	£31.00

Prices are correct at time of going to press - however, they are subject to change. Please check with your dealer.

- (i) Other roof boxes available - please ask your dealer for details
- (ii) Indicates total fitted price post registration. At participating dealers only
- (iii) Detachable 7 pin and Fixed 13 pin and 7 pin also available - please ask your dealer for details
- (iv) Must be ordered in conjunction with Rear Park Assist (either factory fit or accessory)
- (v) Not for iPod Shuffle
- (vi) VAT on Child Seats is 5%

For further information and a complete list of all Volvo Accessories, take a look at the Accessory Website at www.volvocars.co.uk/accessories

UPHOLSTERY	Upholstery Code	Upholstery Colour	Dashboard Top/ Door Panel Colour	Door Insert Colour	Headliner Colour
Svangen Textile/ Vinyl Sports	9270 9280	Off Black Oak	Off Black	Off Black Oak	Granite Arena
Nordborg Textile/ Leather Sports	9G51 9G70 9G81	Light Sand Off Black Arena	Beige Off Black Oak	Light Sand Off Black Arena	Light Sand Granite Arena
Leather-faced Sports	9A51 9A70 9A80 9A81	Light Sand Off Black Oak Arena	Beige Off Black Oak Oak	Light Sand Off Black Oak Arena	Light Sand Granite Arena Arena
Imola Sports Leather	917C 918C	Off Black/Arena Oak/Arena	Off Black Oak	Off Black/Arena Oak/Arena	Arena Arena
Sovereign Hide Soft Leather Sports	9770 977L 978C 978L	Off Black Linen White Arena Linen White	Off Black Off Black Oak Oak	Off Black Linen White Arena Linen White	Granite Arena Arena Arena

UPHOLSTERY

SVANGEN TEXTILE/VINYL SPORTS



Off Black (9270)⁽ⁱ⁾



Oak (9280)⁽ⁱ⁾

NORDBORG TEXTILE/LEATHER SPORTS



Light Sand (9G51)



Off Black (9G70)



Arena (9G81)

LEATHER-FACED SPORTS



Light Sand (9A51)



Off Black (9A70)



Oak (9A80)



Arena (9A81)

IMOLA SPORTS LEATHER



Off Black/Arena (917C)



Oak/Arena (918C)

SOVEREIGN HIDE SOFT LEATHER SPORTS



Off Black (9770)



Linen White (977L)



Arena (978C)



Linen White (978L)

NB For full colour breakdown of upholstery and interior, please refer to the upholstery section on page 6

INTERIOR INLAYS



Manganite



Walnut Wood



Mesh Aluminium



Grid Aluminium

- (i) In combination with the Volvo Premium Sound loudspeaker system, the front door sides are trimmed in Off Black vinyl.
 - (ii) In combination with the Volvo Premium Sound loudspeaker system, the front door sides are trimmed in Oak vinyl.
- NB It is not possible to reproduce exact original shades in printed matter.

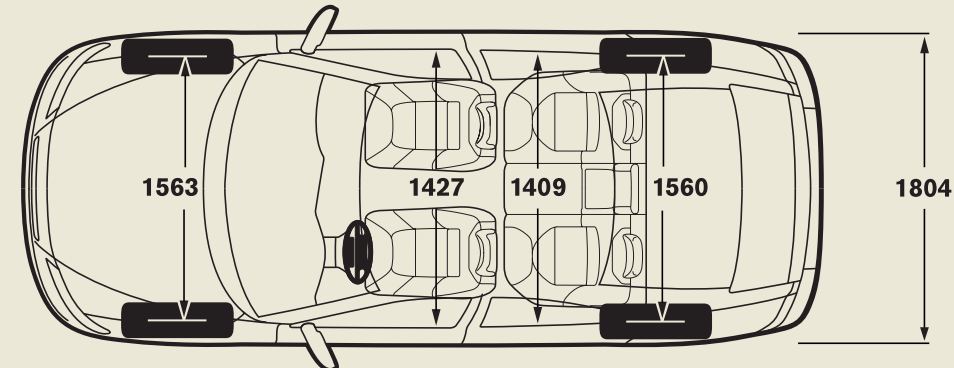
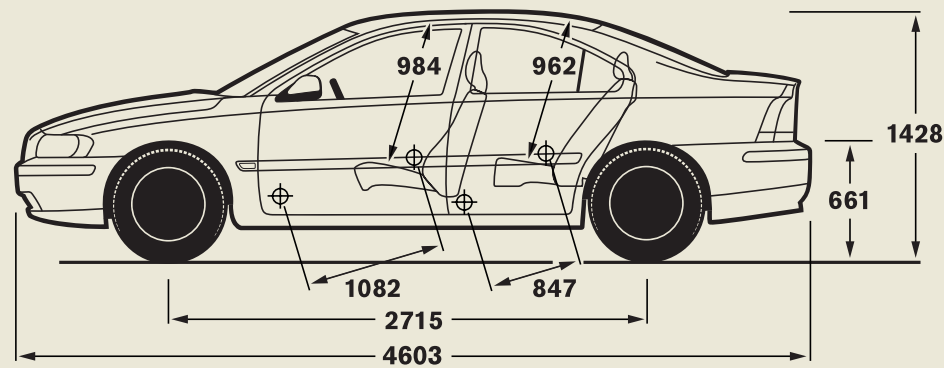
ENGINE		2.0T	2.5T	T5	2.4D	D5
Configuration		Transverse – 20 valve 5	Transverse – 20 valve 5	Transverse – 20 valve 5	Transverse – 20 valve 5	Transverse – 20 valve 5
Cylinders						
Engine capacity, cc		1984	2521	2401	2400	2400
Bore x stroke, mm		81 x 77	83 x 93.2	81 x 93.2	81 x 93.1	81 x 93.1
Max. output ECE,	PS kw rpm	180 132 5500	210 154 5000	260 191 5500	163 120 4000	185 136 4000
Max. torque ECE,	Nm rpm	240 1850-5000	320 1500-4500	350 2100-5000	340 1750-2750	400 2000-2750
Octane rating		95-98 ⁽ⁱⁱⁱ⁾ RON unleaded	95-98 ⁽ⁱⁱⁱ⁾ RON unleaded	95-98 ⁽ⁱⁱⁱ⁾ RON unleaded	Turbo Diesel	Turbo Diesel
Fuel system		Multipoint fuel injection	Multipoint fuel injection	Multipoint fuel injection	Common Rail direct injection	Common Rail direct injection
Compression ratio		9.5:1	9.0:1	8.5:1	17.3:1	17.3:1

WEIGHTS	2.0T		2.5T		T5		2.4D		D5	
	Man	Auto	Man	G/t	Man	G/t	Man	G/t	Man	G/t
Min. kerb weight, kg (actual kerb weight dependent on spec.)	1533	1564	1537	1565	1570	1586	1581	1598	1576	1600
Max. possible towing weight braked, kg	1600	1600	1600	1600	1600	1600	1600	1600	1600	1600
Max. towing weight unbraked approx, kg ^(iv)	750	750	750	750	750	750	750	750	750	750
Max. total weight, kg	2010	2030	2010	2030	2010	2030	2030	2050	2030	2050
Max. roof load, kg	100	100	100	100	100	100	100	100	100	100
Max. payload, kg (dependent on spec)	477	466	473	465	440	444	449	452	454	450

G/t = Geartronic

LUGGAGE COMPARTMENT	All models
Volume, litres (cu. ft)	394 (13.9)
Volume, rear seats down, litres (cu.ft)	808 (28.5)

POWER STEERING SYSTEM	All models
(rack & pinion) Turning circle, m (ft) 205 – 235 (16" – 18") section tyres	11.8 – 12.0 (38' 9" – 39' 4")



PERFORMANCE		2.0T	2.5T	T5	2.4D	D5
Top speed, mph	Man Auto	140 134	146 143	155 155	130 130	143 140
Acceleration 0-60 mph, sec	Man Auto	8.2 8.9	6.5 6.9	6.2 6.6	8.9 9.3	7.6 8.1
0-62 mph (0-100 kmh), sec	Man Auto	8.8 9.5	7.0 7.4	6.5 6.9	9.2 9.7	8.2 8.7
Drag co-efficient		0.28	0.28	0.28	0.28	0.28

FUEL CONSUMPTION ^(i,ii)		2.0T	2.5T	T5 ^(v)	2.4D	D5
Urban	Man mpg (l/100km) Auto mpg (l/100km)	22.8 (12.4) 20.6 (13.7)	21.9 (12.9) 20.0 (14.1)	22.2 (12.7) 20.2 (14.0)	31.4 (9.0) 27.7 (10.2)	31.4 (9.0) 27.7 (10.2)
Extra Urban	Man mpg (l/100km) Auto mpg (l/100km)	40.9 (6.9) 39.8 (7.1)	40.9 (6.9) 38.7 (7.3)	38.7 (7.3) 38.7 (7.3)	54.3 (5.2) 47.1 (6.0)	54.3 (5.2) 47.1 (6.0)
Combined	Man mpg (l/100km) Auto mpg (l/100km)	31.7 (8.9) 29.7 (9.5)	31.0 (9.1) 28.8 (9.8)	30.4 (9.3) 28.8 (9.8)	42.8 (6.6) 37.7 (7.5)	42.8 (6.6) 37.7 (7.5)
CO ₂ g/km	Man Auto	212 227	217 234	220 234	174 199	174 199
VED (Vehicle Excise Duty) Band	Man Auto	F G	F G	F G	E F	E F

INSURANCE GROUPS	2.0T	2.5T	T5	2.4D	D5
Volvo S60	15 E	16 E	17 E	15 E	16 E

E = Exceeds security requirements for model concerned and group rating has been reduced.

	2.0T	2.5T	T5	2.4D	D5
Brakes					
Disc Diameter Front, mm	16" – 305 Ventilated	16" – 305 Ventilated	16.5" – 316 Ventilated	15" – 286 Ventilated	15" – 286 Ventilated
Disc Diameter Rear, mm	288	288	288	288	288
Transmission	Manual Automatic Geartronic	5 speed 5 speed	5 speed 5 speed	6 speed 6 speed	6 speed 6 speed
Fuel Tank Volume litres (gallons)	70 (15.4)	70 (15.4)	70 (15.4)	70 (15.4)	70 (15.4)

- (i) These results do not express or imply any guarantee of the fuel consumption of a particular car as there are inevitable differences between individual cars of the same model. Additionally driving style, traffic conditions, as well as the age and mileage and standard of maintenance will affect a car's fuel consumption.
- (ii) The Urban fuel consumption figure is based on typical city driving, including starting the car from cold. The Extra Urban figure is based on typical motorway driving and cruising. The Combined figure averages the consumption across both cycles.
- (iii) For best performance and lowest fuel consumption 98 RON is recommended. 95 RON can be used for normal driving.
- (iv) Unbraked towing weight must not exceed 50% of kerb weight up to a maximum of 750 kg.

Notes

The weight of the vehicle will influence the level of CO₂ emitted. As a result, vehicles with higher levels of specification and factory fit options may emit higher levels of CO₂. Once a vehicle has been built it will be given its own specific CO₂ emission on which the Vehicle Excise Duty will be charged. A weighbridge must be used to determine specific weights. Data valid for manual transmission unless specified. All measurements in mm. The Max. output figures are quoted in PS (Pferdestärke), which is the metric equivalent of brake horsepower. NB Some of the information in this price list may not be correct due to product changes which may have occurred since it was printed. Some of the equipment described or shown may now be available at extra cost. Before ordering, please ask your Volvo dealer for the latest information. The manufacturer reserves the right to make changes at any time, without notice, to price, colour, materials, specifications and models. Volvo Car UK Limited, Globe Park, Marlow, Buckinghamshire, SL7 1YQ



019 Black Stone



471 Willow Green pearl



426 Silver metallic



477 Inscription™ Electric Silver Coarse Flake metallic



452 Black Sapphire metallic



478 Maple Red pearl



455 Titanium Grey pearl



479 Orinoco Blue pearl



466 Barents Blue pearl



489 Matt Gold pearl



467 Magic Blue pearl



612 Passion Red



614 Ice White

CARE
BY VOLVO

THE END IS JUST THE BEGINNING

It's a simple idea; one point of contact for all your car ownership needs – whether it's about finding the right finance deal or who to contact in an emergency. To get the most out of owning your Volvo, trust Care by Volvo.

STARTING OFF ON THE RIGHT FOOT

You might be surprised how easy and flexible financing can be. Our range of finance, service and insurance options allows you to budget around one key factor – your lifestyle.

FINANCE

As part of Volvo, Volvo Car Finance has developed a series of funding plans that will provide you with maximum choice and flexibility when acquiring a Volvo.

INSURANCE

Volvo Owners Insurance is designed for Volvo drivers and because we know Volvos inside out, we can offer exactly the right tools and expertise, fitting only genuine Volvo parts by trained Volvo technicians. Because Volvo drivers have an excellent reputation, we can also offer extensive cover at a reasonable price.

Call now for your insurance quote on **0800 238 239**⁽ⁱ⁾, quoting reference BROCH.

MAKING LIFE EASIER

Owning a Volvo should be a safe and enjoyable experience. To ensure it stays that way, we're committed to providing you with the best in support for as long as you own one.

SERVICE PROGRAMME

Your Volvo dealer has the unique know-how to tailor a service programme according to Volvo's strict recommendations and guarantees you years of safety and driving pleasure.

VOLVO ON CALL

Subscribe to Volvo On Call and you'll never be completely on your own. It's a GPS-based communication system providing 24-hour access to both emergency and roadside assistance wherever you are. See the Volvo On Call brochure for more information.

LOOKING AHEAD

You'll probably never find out just how good some of these services are. But should the unexpected happen, we'd like to think that you'd be even happier you chose a Volvo.

ROADSIDE ASSISTANCE

Every new car comes with one year's Volvo Assistance cover. You'll enjoy free breakdown and recovery assistance, anywhere in Europe, 24 hours a day. You can even extend cover for £85 for one year or £155 for two years.

Call Volvo Assistance on **08701 650 978**.

WARRANTY

Every new Volvo comes with comprehensive protection. Our warranty covers the first three years or 60,000 miles, whichever comes first. There's a three year unlimited mileage warranty on the paintwork, and either eight or twelve years against rust perforation. If a component fails due to a defect or material fault, your dealer will swiftly rectify the problem, free of charge.

For tax free sales, including Military, Diplomat and all other Export enquiries, contact Volvo Car UK Tourist & Diplomat Sales or Volvo Car UK British Military Sales on **01707 262 388** or e-mail to vcukics@volvocars.com or bms@volvocars.com

All 'On The Road' prices quoted in this price list include Volvo standard national delivery charge, inclusive of number plates at £480 and the VED (Vehicle Excise Duty) car tax effective from 1st March 2000. The 'On The Road' price also includes a £50 vehicle first registration fee (as set by the government), effective since 1st April 1998 (excludes Channel Islands and Isle of Man). Retail prices quoted do not include these additions.

WHAT NEXT? If you'd like to find out more about the range of products and services that make up Care by Volvo, the story continues at www.volvocars.co.uk Alternatively you can contact your nearest Volvo dealer or request relevant brochures.

(i) Volvo Owners Insurance is underwritten by Royal & Sun Alliance Insurance plc No. 93792. Registered in England and Wales at St Mark's Court, Chart Way, Horsham, West Sussex RH12 1XL. Authorised and regulated by the Financial Services Authority. For your protection telephone calls will be recorded and may be monitored.

NB Some of the information in this brochure may not be correct due to product changes which may have occurred since it was printed. Before ordering, please ask your Volvo dealer for the latest information. The manufacturer reserves the right to make changes at any time, without notice, to prices, colour, materials, specifications and models.

Volvo. for life

VOLVO

Volvo Car UK Limited
www.volvocars.co.uk

30634

MODEL YEAR 2008 EDITION 1
PRINTED: MAY 2007
05/07/90010253/25